



Logic HE™ Range
Balanced Flue
Instructions for Use,
Installation and Servicing
For use in GB, IE (Great Britain and Eire)

IMPORTANT

This product contains a Heat resistant glass panel. This panel should be checked during Installation and at each servicing interval. If any damage is observed on the front face of the glass panel (scratches, scores, cracks or other surface defects), the glass panel must be replaced and the appliance must not be used until a replacement is installed. Under no circumstances should the appliance be used if any damage is observed, the glass panel is removed or broken.

Parts of this appliance will become hot during operation; it is therefore recommended that a suitable guard should be used for protection of young children, the elderly or infirm.

This appliance is guaranteed for 2 years (subject to the conditions on page 3 of this Instruction manual). The second year of the guarantee will only be valid if the annual service recommended in this Instruction manual has been completed by a GasSafe registered engineer, and a copy of the service report is available for inspection by a Gazco engineer.

These Instructions must be left with the appliance for future reference and for consultation when servicing the appliance. Please make the customer aware of the correct operation of the appliance before leaving these instructions with them.

The commissioning sheet found on Page 3 of this Instruction manual must be completed by the Installer prior to leaving the premises.

CONTENTS

Covering the following models:

101-208 101-135
101-687 101-458

APPLIANCE COMMISSIONING CHECKLIST	3
USER INSTRUCTIONS	4
INSTALLATION INSTRUCTIONS	10
Technical Specification for White Stone Effect	10
Technical Specification for Coal Effect	11
Site Requirements	13
Installation	15
Commissioning	20
SERVICING INSTRUCTIONS	21
Servicing Requirements	21
Fault Finding	21
How to replace parts	23
Basic spare parts list	26
Service Record	28

APPLIANCE COMMISSIONING CHECKLIST

IMPORTANT NOTICE

Explain the operation of the fire to the end user, hand the completed instructions to them for safe keeping, as the information will be required when making any guaranteed claims.

FLUE CHECK	PASS	FAIL
1. Flue is correct for appliance		
2. Flue flow test	N/A	
3. Spillage test	N/A	
GAS CHECK		
1. Gas soundness & let by test		
2. Standing pressure test	mb	
3. Appliance working pressure (on High Setting) NB All other gas appliances must be operating on full	mb	
4. Gas rate	m ³ /h	
5. Does ventilation meet appliance requirements	N/A	

DEALER AND INSTALLER INFORMATION

Dealer

.....

.....

Contact No.....

Date of Purchase.....

Model No.....

Serial No.....

Gas Type.....

Installation Company

.....

.....

Engineer

Contact No.....

Gas Safe Reg No.

Date of Installation

This product is guaranteed for 2 years from the date of installation, as set out in the terms and conditions of sale between Gazco and your local Gazco dealer. **This guarantee will be invalid, to the extent permitted by law, if the above Fire Commissioning Checklist is not fully completed by the installer and available for inspection by a Gazco engineer.** The guarantee will only be valid during the second year, to the extent permitted by law, if the annual service recommended in the Instructions for Use has been completed by a Gas Safe registered engineer, and a copy of the service visit report is available for inspection by a Gazco engineer.

USER INSTRUCTIONS

1. GENERAL

In the event of a gas escape or if you can smell gas, please take the following steps:

- Immediately turn off the gas supply at the meter/emergency control valve
- Extinguish all sources of ignition
- Do not smoke
- Do not operate any electrical light or power switches (On or Off)
- Ventilate the building(s) by opening doors and windows
- Ensure access to the premises can be made

Please report the incident immediately to the National Gas Emergency Service Call Centre on 0800 111 999 (England, Scotland and Wales), 0800 002 001 (N. Ireland) or in the case of LPG, the gas supplier whose details can be found on the bulk storage vessel or cylinder.

The gas supply must not be used until remedial action has been taken to correct the defect and the installation has been recommissioned by a competent person.

- 1.1 Installation and servicing must only be carried out by a competent person whose name appears on the Gas Safe register. To ensure the engineer is registered with Gas Safe they should possess an ID Card carrying the following logo:



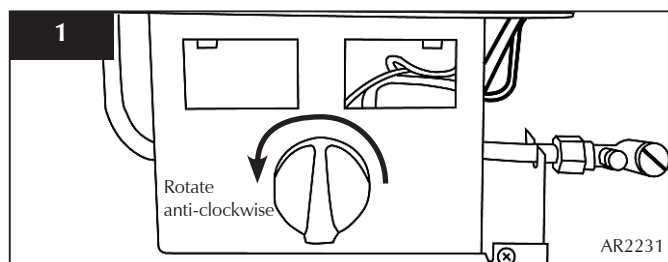
- 1.2 In all correspondence, please quote the appliance type and serial number, which can be found on the data badge located on a plate attached to the lower slotted trim, Diagram 5 Installation Section.
- 1.3 **Do not** place curtains above the fire: You must have 300mm (1') clearance between the fire and any curtains at either side.
- 1.4 If any cracks appear in the glass panel do not use the appliance until the panel has been replaced.
- 1.5 In the unlikely event the appliance is receiving interference from other electronic devices, the handset/Control box can be reprogrammed. Please consult your dealer if you think this may be the case.
- 1.6 If, for any reason, the flue has to be removed from the appliance, the seals must be replaced in the inner spigot.
- 1.7 Do not obstruct the flue terminal in any way, i.e. by planting flowers, trees shrubs etc in the near vicinity, or by leaning objects up against the terminal guard.

- 1.8 Do not use a garden sprinkler or hose near the terminal.
- 1.9 This product is guaranteed for 2 years from the date of installation, as set out in the terms and conditions of sale between Gazco and your local Gazco dealer. Please consult with your local Gazco dealer if you have any questions. In all correspondence always quote the Model Number and Serial Number.

IMPORTANT : NEVER position an LCD/Plasma TV above this fire.

2. LIGHTING THE FIRE

- 2.1 Locate the control valve on the fire.
- Push the valve knob in and rotate anti-clockwise until two clicks are heard, hold in for a further 10 seconds
- When released the pilot should remain lit

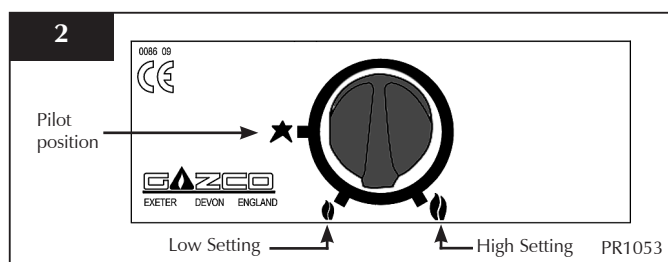


If the pilot does not remain lit, repeat until the operation is successful.

2.2 Adjusting the settings

From the pilot position:

- Push the valve knob in slightly and rotate anti-clockwise until the first stop point is felt
- This denotes the lowest setting.
- Push the valve knob in slightly and rotate further in an anti-clockwise direction
- The final stop point is the highest setting.



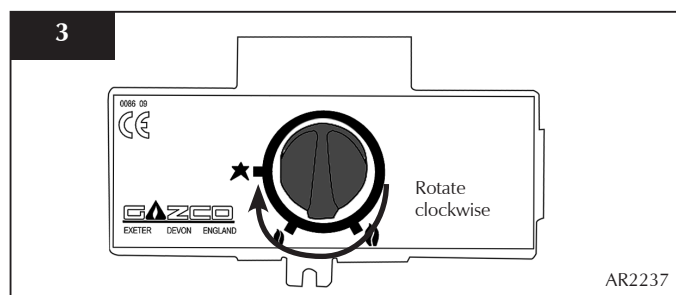
USER INSTRUCTIONS

3. TURNING THE FIRE OFF

3.1 To turn the fire off:

- Turn the control knob clockwise until it is returned to the off position

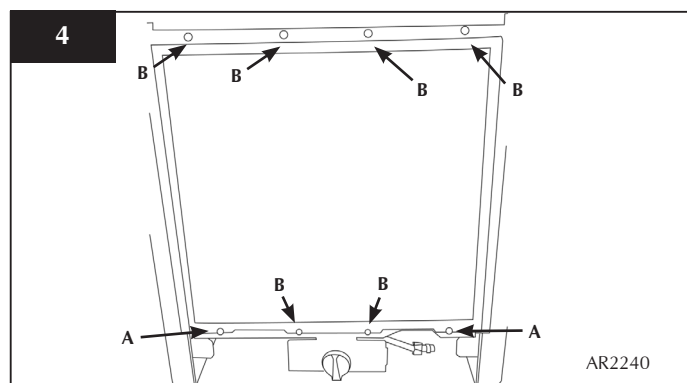
The knob should be upright.



4. CLEANING THE LOGIC HE

ENSURE THE FIRE IS COLD BEFORE PROCEEDING

- 4.1 Refer to the separate *Frame Instructions* to remove the frame from the fire.
- 4.2 Remove the glass window by unscrewing the two lower outer pozi-head screws (Arrow A) by several turns, there is no need to fully remove these two screws, Diagram 4
- Remove the remaining 6 screws (Arrow B) and lift the glass window clear of the appliance, Diagram 4



- 4.3 To clean the glass surface, Gazco recommends you use a ceramic glass product generally sold for cleaning ceramic hobs.

White Stone Effect

- Remove the white stones and place on a dry clean surface. Do not remove the enamel back panel
- Use a damp cloth and mild non-abrasive cleaner on the enamel back panel
- Clean the burner and tray assembly using a vacuum cleaner with a soft brush attachment
- Ensure all debris is removed from the burner ports
- Replace the white stones by referring to Section 6A

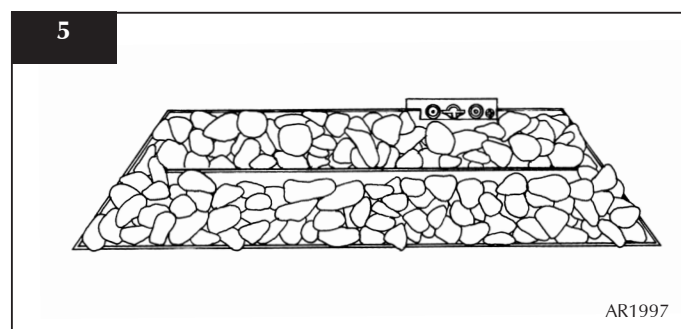
Coal Effect

- Remove the ceramic coals and fuel bed and place on a dry clean surface
- Clean the burner and tray assembly using a vacuum cleaner with a soft brush attachment
- Ensure all debris is removed from the ports
- Replace the ceramics by referring to section 5B

5A. ARRANGEMENT OF THE FUEL BED COMPONENTS - WHITE STONE EFFECT

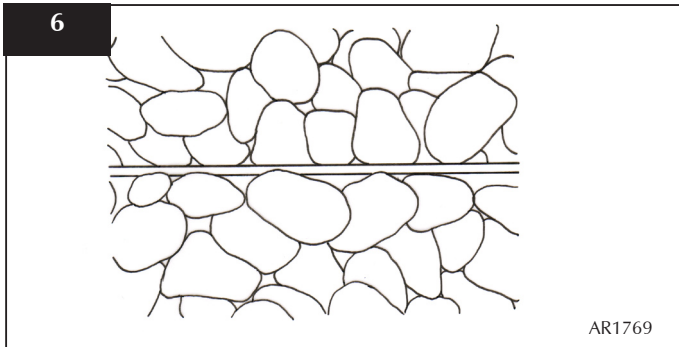
ONLY USE THE CORRECT TYPE AND QUANTITY OF WHITE STONES. ALWAYS FOLLOW THE FUEL BED LAYOUT AS STATED IN THESE INSTRUCTIONS. NEVER CHANGE THE LAYOUT FROM THAT SHOWN HERE.

- 5.1 Arrange the white stones in the areas highlighted in Diagram 5. They should be evenly distributed.

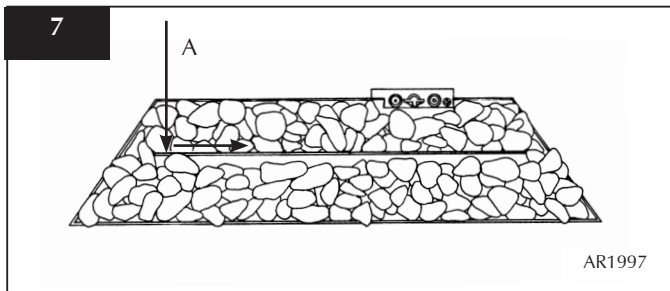


- Lean the white stones against the burner ledges to disguise the ledges, Diagram 6

USER INSTRUCTIONS

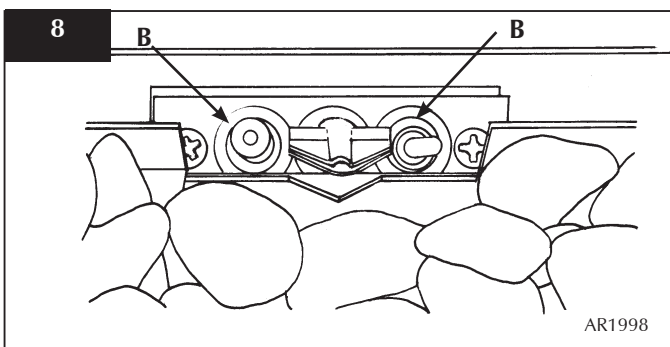


- Check that the port area. Arrow A, Diagram 7 is clear of white stones. This can be easily done by gently running a screwdriver or similar object along this area.



NOTE: IT IS IMPORTANT THE WHITE STONES DO NOT COVER THE PORT AREA IN BETWEEN THE BURNER LEDGES.

- Ensure that no stones overhang or fill the pilot area, Arrow B, Diagram 8



NOTE: WHITE STONES SHOULD NOT BE PLACED DIRECTLY IN FRONT OF THE PILOT CROSS LIGHTING FLAME.

ADVICE ON HANDLING AND DISPOSAL OF FIRE CERAMICS

The fuel effect and side panels in this appliance are made from Refractory Ceramic Fibre (RCF), a material which is commonly used for this application.

Protective clothing is not required when handling these articles, but we recommend you follow normal hygiene rules of not smoking, eating or drinking in the work area and always wash your hands before eating or drinking.

To ensure that the release of RCF fibres are kept to a minimum, during installation and servicing a HEPA filtered vacuum is recommended to remove any dust accumulated in and around the appliance before and after working on it. When servicing the appliance it is recommended that the replaced items are not broken up, but are sealed within heavy duty polythene bags and labelled as RCF waste.

RCF waste is classed as stable, non-reactive hazardous waste and may be disposed of at a licensed landfill site.

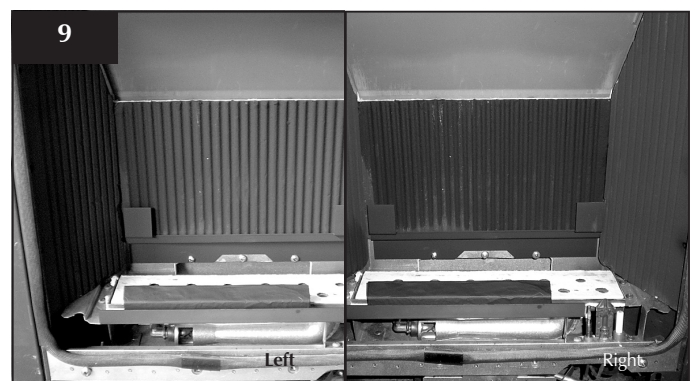
Excessive exposure to these materials may cause temporary irritation to eyes, skin and respiratory tract; wash hands thoroughly after handling the material.

5B. ARRANGEMENT OF THE FUEL BED COMPONENTS - COAL EFFECT

NOTE: CERAMIC PARTS ARE FRAGILE. HANDLE WITH CARE

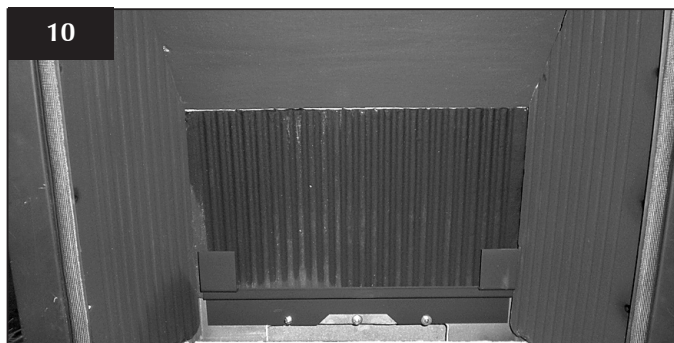
ONLY USE THE CORRECT TYPE AND QUANTITY OF CERAMIC COMPONENTS

- 5.2 Place the rear panel against the rear of the box resting on the shelf
 - Slide one of the side panels into the box ensuring it touches the rear panel
 - Gently ease the front edge of the side panel behind the flange so it lies flat against the wall of the box
- Repeat with the second side panel, Diagram 9

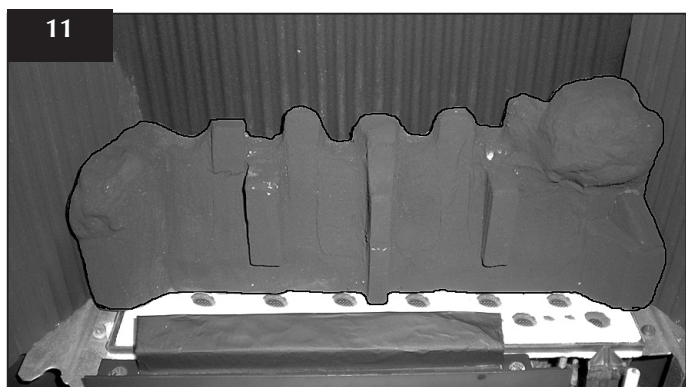


USER INSTRUCTIONS

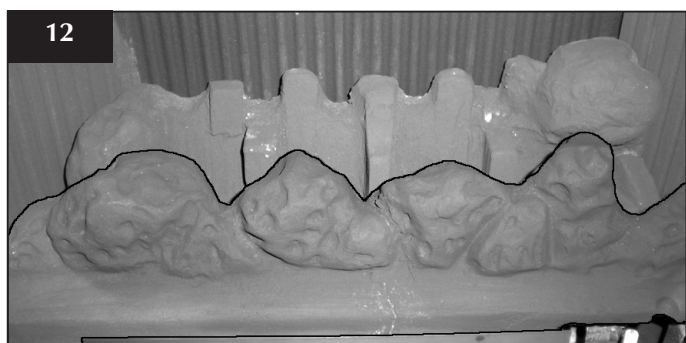
- 5.3 Locate the top panel on top of the sides and rear by lifting it up and forward inside the box
- Slide it backwards and down behind the side panels to rest on the rear panel, Diagram 10



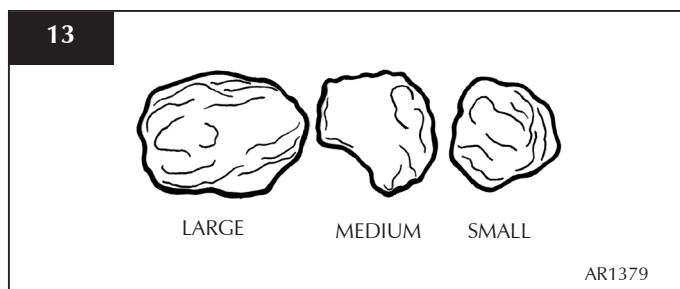
- 5.4 Position the flame baffle centrally on the tray and ensure the stepped lower edge engages against the rear edge of the burner skin, Diagram 11



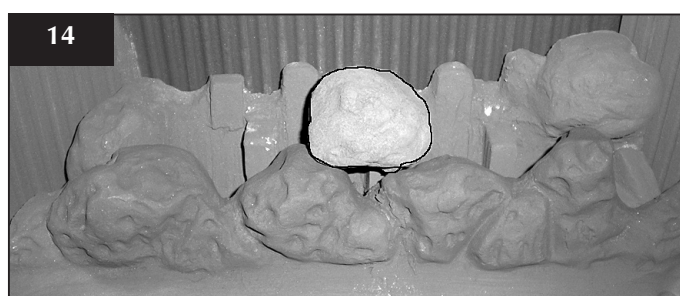
- 5.5 Place the front coal centrally in the channel at the front of the tray. The relationship between the front coal and the flame baffle is shown, Diagram 12.



- 5.6 There are three sizes of coal used. Small x3, medium x4 and large x1. For identification, Diagram 13.



- 5.7 Place the single large coal in the central dent of the front coal resting against the flame baffle, Diagram 14.



- 5.8 Place the left front medium coal in the recess between the flame baffle and the front coal, Diagram 15.



- 5.9 Place the front right medium coal on the front coals and against the flame baffle, Diagram 16.



- 5.10 Place the rear left medium coal on the recess behind the front row of coals resting on the rear panel, Diagram 17.

USER INSTRUCTIONS



5.11 Place the rear right medium coal in the recess behind the front row of coals resting on the rear pane, Diagram 18



5.12 Place the right hand small coal in the recess between the flame baffle and the front coal, Diagram 19



5.13 Place the left hand small coal in the recess between the flame baffle and the front coal, Diagram 20



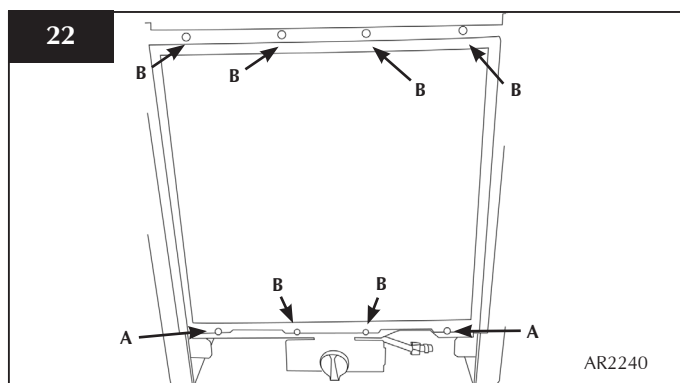
5.14 Place the centre rear small coal in the recess behind the large centre coal, Diagram 21



FITTING THE GLASS WINDOW

5.15 Ensure that the fibre glass window seal on the box is intact, then lower the glass window onto the two lower fixing screws (Arrow A)

- Fit the other 6 fixing screws (Arrow B)
- Tighten all 8 screws to retain the window, Diagram 22



- Refer to the separate *Frame Instructions* to replace the frame on the fire.

NEVER OPERATE THE APPLIANCE WHEN THE GLASS PANEL IS REMOVED OR BROKEN.

6. FLAME FAILURE DEVICE

6.1 This is a safety feature incorporated on this appliance which automatically switches off the gas supply if the pilot goes out and fails to heat the thermocouple.

7. RUNNING IN

7.1 The surface coating on the materials used in your GAZCO fire will "burn off" during the first few hours of use producing a harmless and temporary odour. This will disappear after a short period of use. If the odour persists, ask your installer for advice.

USER INSTRUCTIONS

8. SERVICING

- 8.1 The fire must be serviced every 12 months by a qualified Gas Engineer. In all correspondence always quote the Model number and the Serial number which may be found on the databadge.

9. VENTILATION

- 9.1 This appliance requires no additional ventilation.

10. INSTALLATION DETAILS

- 10.1 To assist in any future correspondence, your installer should have completed the commissioning sheet at the front of this book, this records the essential installation details of the appliance. In all correspondence always quote the Model number and Serial number.

11. HOT SURFACES

- 11.1 Parts of this appliance become hot during normal use. It is therefore recommended that a suitable fire guard be used for protection of young children and the infirm. Indeed, all parts of the appliance should be treated as a 'working surface' except for the control access panel.

INSTALLATION INSTRUCTIONS

TECHNICAL SPECIFICATION

Covering the following LOGIC HE models:

Logic HE Stone NG: 101-208

Logic HE Stone LPG: 101-687

GAS CATEGORY	I ₂ H	I ₃ P
	Natural	Propane
Gas Type	G20	G31
Working Pressure	20mbar	37mbar
Gross Input kW	HIGH	3.4kW
	LOW	2.1kW
Gas Rate m ³ /hr	0.320	0.126
Efficiency Class	2	2
NO _x Class	4	4
Injector Size	200	95
Aeration Size	6 x 10	12 x 15
Flue Outlet Size	100mmø / 152mmø	
Gas Inlet	8mm	

APPLICABLE FRONTS	
FRONT	PART NUMBER
Designio	8272MA + 8272IR + 8272GP
Progress	8253MA + 8253IR
Dimension	8680MB
Evolution	8258BS + 8258MB
Steel	8695GP + 8695IR
Futura	8687BK
Fusion	8699GP + 8699IR
Winchester	8697MB + 8697P
Box Profil	912-114, 912-349, 912-521, 912-696

APPLICABLE FRAME & FRONT COMBINATIONS		
FINISH	ARTS FRAME	ARTS FRONT
Black	8283MB	8282MB
Brass	8283PBR	8282PBR
Brushed Steel	8283BS	
Polished Steel	8283P	
Highlight Polished		8282HP
Chrome		8282P

INSTALLATION INSTRUCTIONS

TECHNICAL SPECIFICATION

Covering the following LOGIC HE COAL models:

Logic HE Coal NG: 101-135

Logic HE Coal LPG: 101-458

GAS CATEGORY	I ₂ H	I ₃ P
	Natural	Propane
Gas Type	G20	G31
Working Pressure	20mbar	37mbar
Gross Input kW	HIGH	4.0kW
	LOW	2.2kW
Gas Rate m ³ /hr	0.377	0.147
Efficiency Class	1	1
NO _x Class	3	3
Injector Size	260	104
Aeration Size	8 x 15	23mm x 15mm (2)
Flue Outlet Size	100mmø / 152mmø	
Gas Inlet	8mm	

APPLICABLE FRONTS			
FRONT	PART NUMBER	FRONT	PART NUMBER
Designio	8272MA + 8272IR + 8272GP	Yeoman	YM98906
Progress	8253MA + 8253IR	Futura	8687BK
Dimension	8680MB	Fusion	8699GP + 8699IR
Evolution	8258BS + 8258MB	Winchester	8697MB + 8697P
Richmond	8679	Box Profil	512-114, 912-349, 912-521, 912-696
Stockton	8696	Steel	8695GP + 8695IR

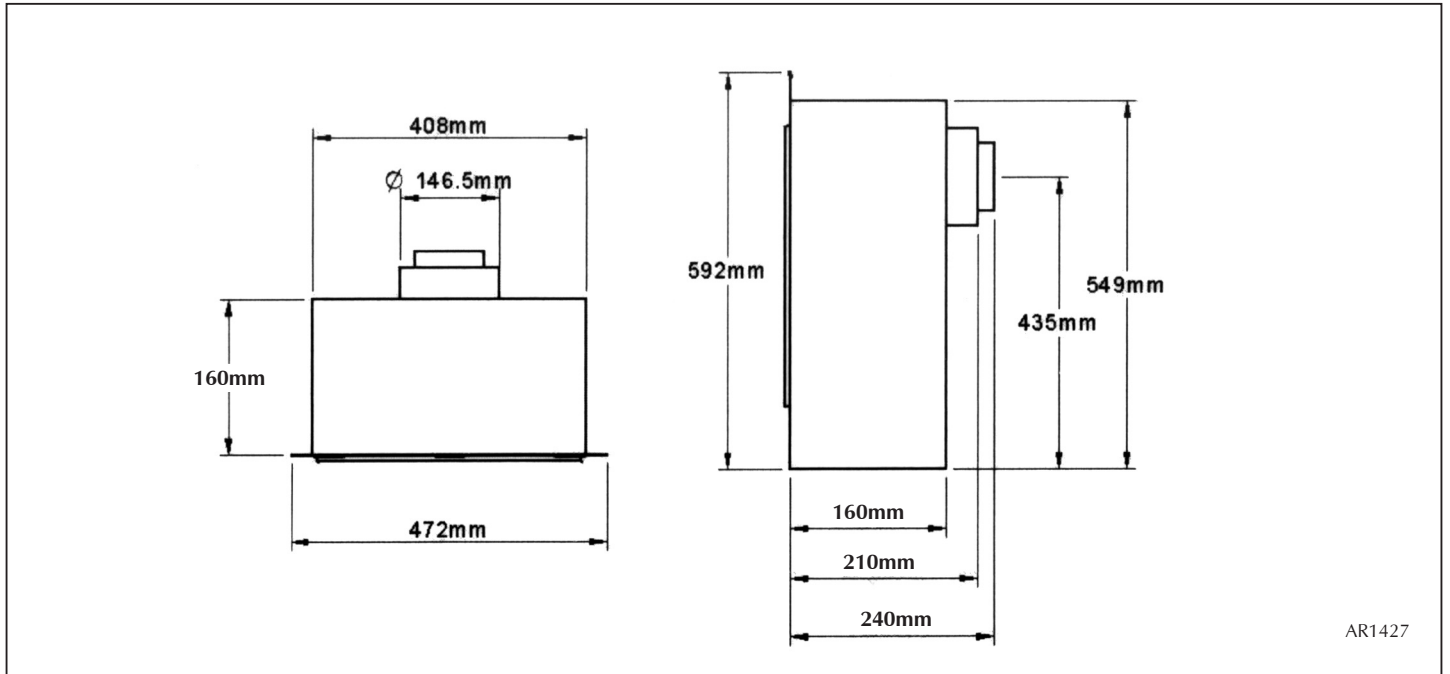
APPLICABLE FRAME & FRONT COMBINATIONS				
FINISH	** ARTS FRAME	ARTS FRONT	HOLYROOD	SPANISH
Black	8283MB	8282MB	8693MB	8694MB
Brass	8283PBR	8282PBR		
Black/Brass			8693PBB	8694PBB
Brushed Steel	8283BS			
Polished Steel	8283P			
Highlight Polished		8282HP	8693HP	8694HP
Chrome		8282P	8693P	8694P

** The Arts Frame must be used in conjunction with either the Arts, Holyrood or Spanish Front.

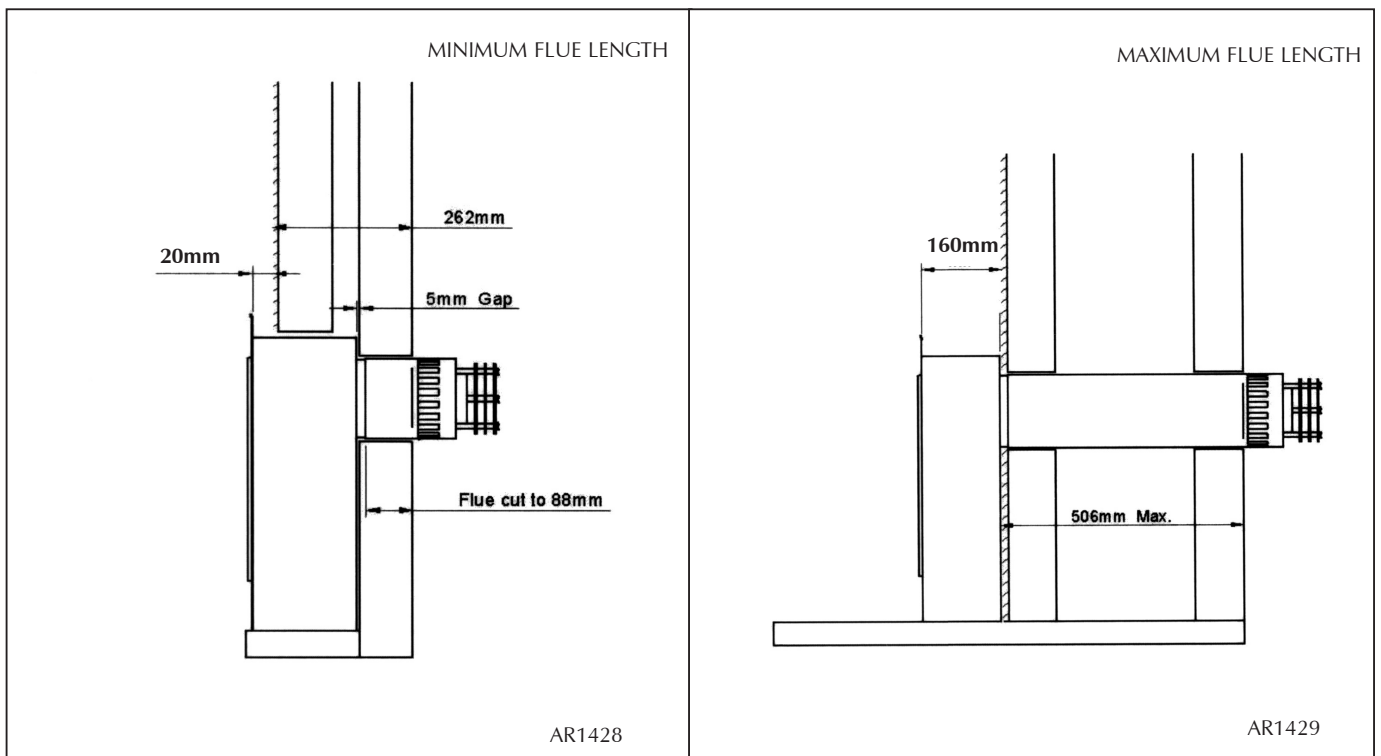
INSTALLATION INSTRUCTIONS

TECHNICAL SPECIFICATION

OVERALL EXTERNAL DIMENSIONS FOR LOGIC HE BALANCED FLUE



MINIMUM AND MAXIMUM FLUE SIZE



INSTALLATION INSTRUCTIONS

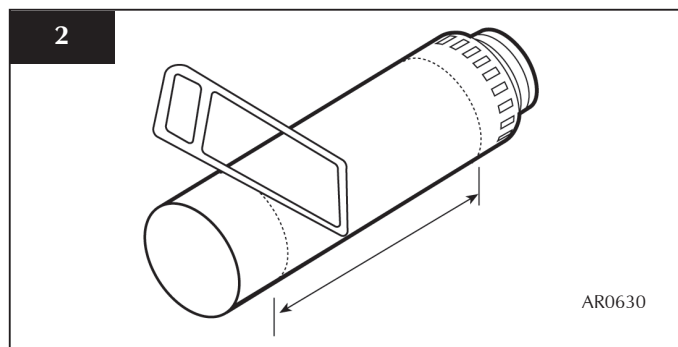
SITE REQUIREMENTS

1. FLUE AND CHIMNEY REQUIREMENTS

NOTE: This appliance can only be installed in conjunction with the flue supplied.

- 1.1 The flue must be sited in accordance with BS5440: Part 1 (latest edition), Diagram 1.
- 1.2 Any terminal which is less than 2 metres above any access (level ground, balcony or above a flat roof to which people have access) is to be fitted with a guard.
- 1.3 The flue must be securely fixed and fire precautions followed in accordance with local and national codes of practice.

- 1.4 The horizontal terminal can be reduced in length, Diagram 2.



1

UK Dimensions

Dimension	Terminal Position	Minimum Distance (mm)
A*	Directly below an opening, air brick, opening windows etc	300 mm
B*	Above an opening, air brick, opening windows etc.	300 mm
C*	Horizontal to an opening, air brick, opening windows etc.	300 mm
D	Below gutters, soil pipes or drain pipes	300 mm
E	Below eaves	300 mm
F	Below balconies or car port roof	600 mm
G	From a vertical drain pipe or soil pipe	300 mm
H	From an internal or external corner	600 mm
I	Above ground, roof or balcony level	300 mm
J	From a surface facing the terminal (or boundary)	600 mm
K	From a terminal facing the terminal	600 mm
L	From an opening in the car port (e.g. door, window) into dwelling	1200 mm
M	Vertically from a terminal on the same wall	1500 mm
N	Horizontally from a terminal on the same wall	300 mm
O	From the wall in which the terminal is mounted	N/A
P	From a vertical structure on the roof	N/A
Q	Above intersection with roof	N/A

* In addition, the terminal should not be nearer than 300mm to an opening in the building fabric formed for the purpose of accommodating a built-in element such as a window frame.

H The reference to external corners does not apply to building protrusions not exceeding 450mm, such as disused chimneys on external walls.

INSTALLATION INSTRUCTIONS

SITE REQUIREMENTS

TIMBER FRAMED BUILDINGS

- 1.5 It will be necessary to provide additional clearance when the flue passes through a wall containing any combustible materials so as to prevent a fire hazard.
- 1.6 The hole through which the flue will pass, must have a steel sleeve which is positioned so that an air gap of at least 25mm is maintained between the outer surface of the flue, and any part of the sleeve.
- 1.7 For further guidance on the installation of gas appliances in timber framed buildings, contact your local buildings control authority.

2. GAS SUPPLY

- 2.1 Before installation, ensure that the local distribution conditions (identification of the gas type and pressure) and the adjustment of the appliance are compatible.
- 2.2 Ensure that the gas supply is capable of delivering the required amount of gas, and is in accordance with the rules in force.
- 2.3 Factory-sheathed/wrapped soft copper tubing with small ridges which allow pipe movement are considered to be a suitable alternative to a pipe sleeve, when recessing the unit into a cavity wall the gas supply is best fed through the wall from the outside. Soft soldered joints can only be used outside the appliance.
- 2.4 This appliance is supplied complete with a factory fitted isolation device incorporated into the inlet connection. No further isolation device is therefore required.

3. VENTILATION

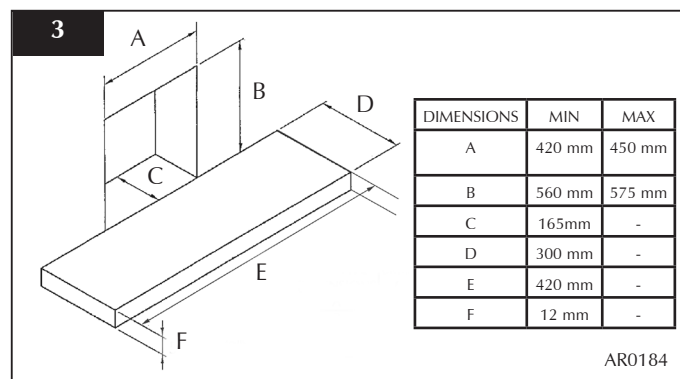
- 3.1 This appliance requires no additional ventilation.

4. APPLIANCE LOCATION

NOTE: It is recommended you construct the back panel of the fireplace from natural materials cut into three or more sections to prevent cracking. Resin-based materials may not be suitable. This appliance is an effective heat producer and attention must be paid to the construction and finish of the fireplace.

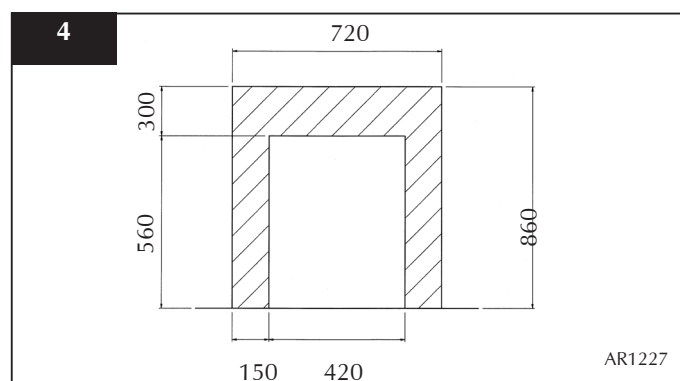
- 4.1 This appliance must stand on a non combustible hearth that is at least 12mm thick. If the fire is greater than 50mm above the floor, then no hearth is required, although due consideration should be given to how the heat may affect the floor material.

- 4.2 The minimum opening dimensions are shown, Diagram 3.



- 4.3 This appliance can only be installed on an outside wall with suitable clearances for the flue terminal and guard (if required).

- 4.4 This appliance is not suitable for installation into a combustible wall. All combustible material must be removed from the area shown, Diagram 4.



- 4.5 The maximum depth of combustible shelf is 150mm at a minimum height of 300mm above the fireplace opening.

INSTALLATION INSTRUCTIONS

INSTALLATION

1. UNPACKING

- 1.1
- Remove the appliance from its packaging, and check that it is complete and undamaged
 - Put the loose ceramic parts to one side so that they are not damaged during installation.

2. SAFETY PRECAUTIONS

- 2.1 This appliance must be installed in accordance with the rules in force, and used only in a sufficiently ventilated space. Please read all instructions before installation and use of this appliance.
- 2.2 These instructions must be left intact with the user.
- 2.3 Do not attempt to burn rubbish on this appliance.
- 2.4 In your own interest, and those of safety, this appliance must be installed by a competent person in accordance with local and national codes of practice. Failure to install the appliance correctly could lead to prosecution.
- 2.5 Keep all plastic bags away from young children.

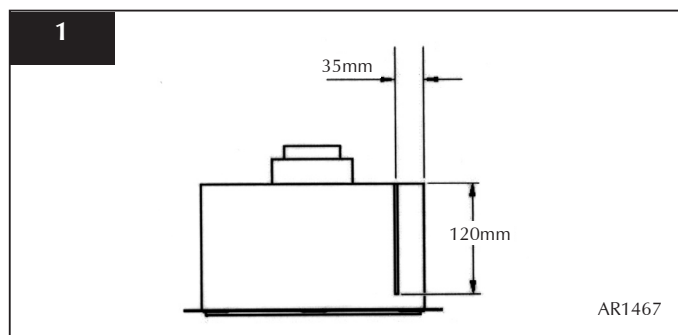
3. INSTALLATION OF THE GAS SUPPLY

LOGIC HE STONE EFFECT BALANCED FLUE	
NAT GAS @ 20MB	PROPANE @ 37mb
101-208	101-687

LOGIC HE COAL EFFECT BALANCED FLUE	
NAT GAS @ 20MB	PROPANE @ 37mb
101-135	101-458

TO CHANGE FROM ONE GAS TYPE TO ANOTHER A COMPLETE ENGINE ASSEMBLY WILL BE REQUIRED. SEE SECTION 9 REPLACING PARTS.

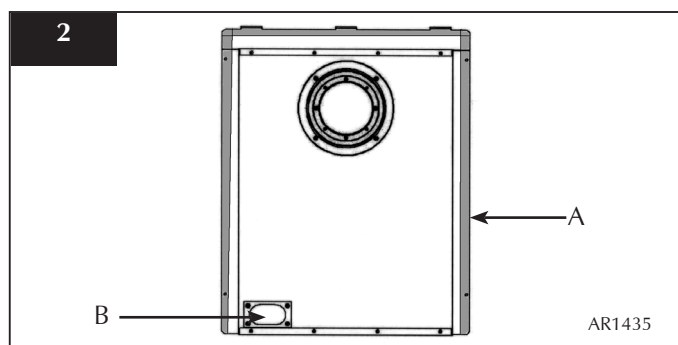
- 3.1 Before installation, ensure that the local distribution conditions (identification of the type of gas and pressure) and the adjustment of the appliance are compatible. See table above.
- 3.2 The position of the gas inlet pipe is shown, Diagram 1.



- 3.3 All supply pipes must be purged of any debris that may have entered, prior to connection to the appliance.
- 3.4 The gas supply enters through the silicone panel located on the rear of the outer box. This will need to be slit with a sharp knife prior to passing the supply pipe through.

4. PREPARING THE APPLIANCE

- 4.1 Remove the backing from the self-adhesive silicone sealing strip and apply to the rear flange of the firebox ensuring that the strip is positioned as close to the outer edge as is practically possible, Diagram 2, arrow A.

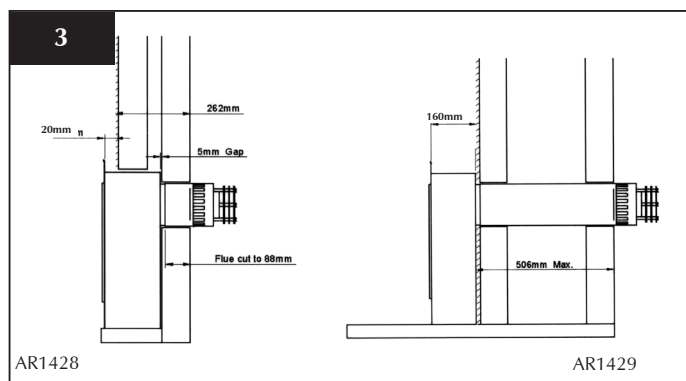


- 4.2 Gas pipe entry must come through the rear right-hand side of the box. The rubber seal must be cut using a sharp knife to allow the isolating elbow to pass through it. Ensure the rubber is not damaged when doing this, Diagram 2, arrow B.
- 4.3 A means of isolation is provided with the appliance. This must be fitted to the supply pipe prior to installing the firebox.
- 4.4 The appliance can either be recessed into an inner leaf of the wall. A 20mm rebated surround or 20mm thick back panel must be used with this method. Or it can be installed in front of the wall in conjunction with a fire surround constructed of a studwork frame, Diagram 3 for options.

If using a back panel constructed from natural materials such as stone, the panel should consist of 3 or more sections to reduce the risk of cracking.

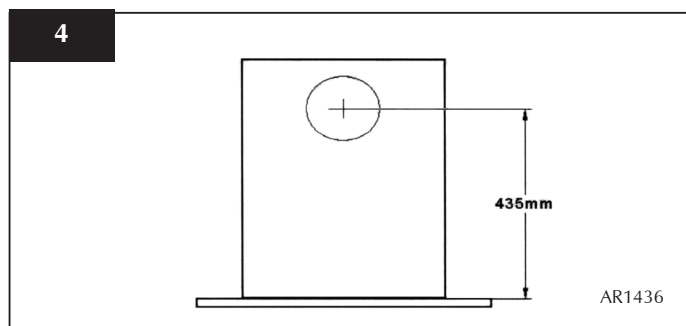
INSTALLATION INSTRUCTIONS

INSTALLATION



5. NON RECESSED INSTALLATION

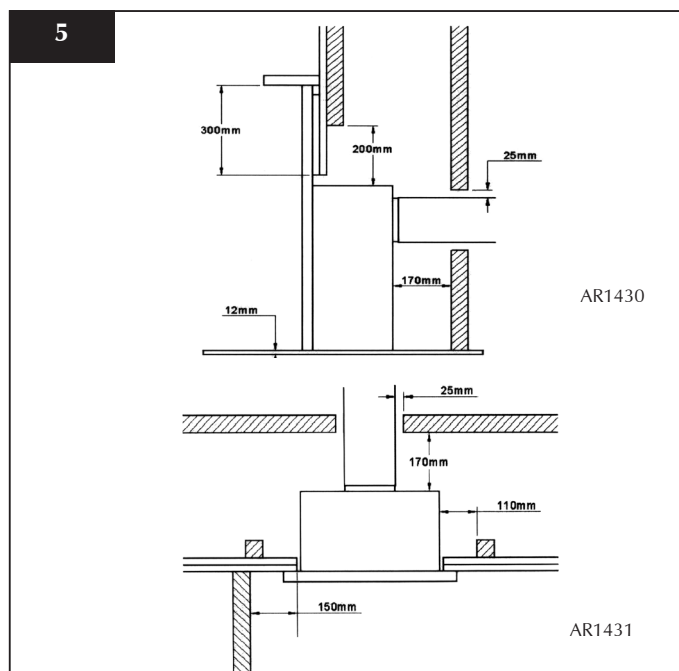
- 5.1 Mark the position of the flue on the inner wall by measuring from the top of the finished hearth level, Diagram 4.



- 5.2 A 152mm (6") diameter hole is required to install the flue. This can be achieved by either:
- Core drill
 - Hammer and chisel.

It is advisable to drill small holes around the circumference when using method b. Make good both ends of the hole.

- 5.3 It will now be necessary to construct a studwork frame to house the appliance. The minimum depth of the aperture must be 165mm. This includes an air gap of 5mm behind the appliance. The sides must be lined with non-combustible material for the full depth of the aperture.
- 5.4 Combustible parts of the studwork frame must not be any closer than the minimum dimensions shown in Diagram 5. These dimensions need to be maintained even if the frame work is protected by non combustible material.
- 5.5 Do not pack the void around or above the appliance with insulation material such as mineral wool.

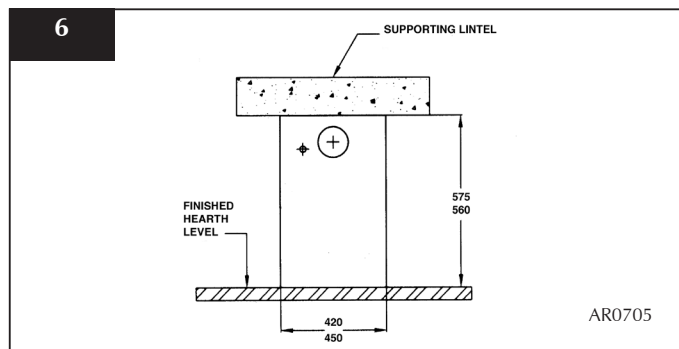


- 5.6 The void into which the appliance is fitted must be ventilated to prevent a build up of heat. If the void is sealed then it will be necessary to fit vents at both low and high levels of approximately 50cm². These vents should take cold air from the room and return warm air back into the room.

6. RECESSED INSTALLATION

This method of installation requires structural alteration to the intended location. A suitable supporting lintel must be installed to maintain the structural integrity of the surrounding blockwork.

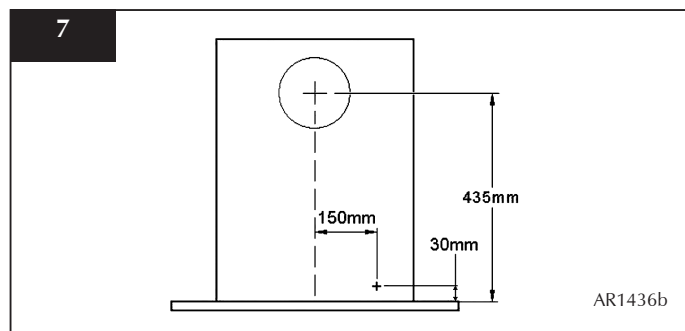
- 6.1 Mark the position of the lintel so that it sits centrally over the intended installation. Remove the blockwork and install the lintel using mortar to ensure a strong bond with the surrounding wall, Diagram 6.



INSTALLATION INSTRUCTIONS

INSTALLATION

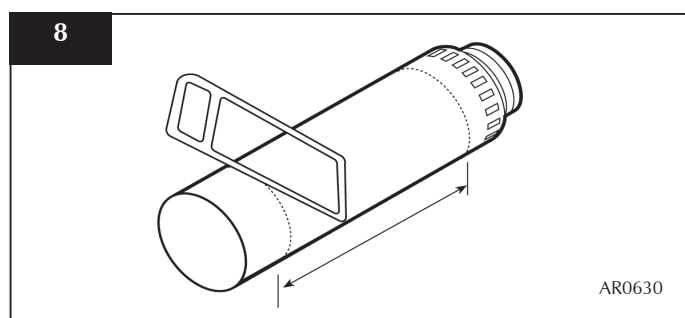
- 6.2 With the lintel in position mark the width of the aperture and remove the blockwork. If there is loose cavity insulation this must be retained. This can be achieved by using Rockwool or similar.
- 6.3 Mark the position of the flue on the wall by measuring from the top of the finished hearth level, Diagram 7.



- 6.4 A 152mm (6") diameter hole is required to install the flue. This can be achieved by either:
- Core drill
 - Hammer and chisel
- It is advisable to drill small holes around the circumference when using method b. Make good both ends of the hole.

7. INSTALLATION OF THE APPLIANCE

- 7.1 The flue can be cut to length, measure the thickness of the wall the flue is passing through, then deduct 12mm. This is the length required when measuring from the line on the flue label. This must be level with the outside wall face when fitted, Diagram 8.



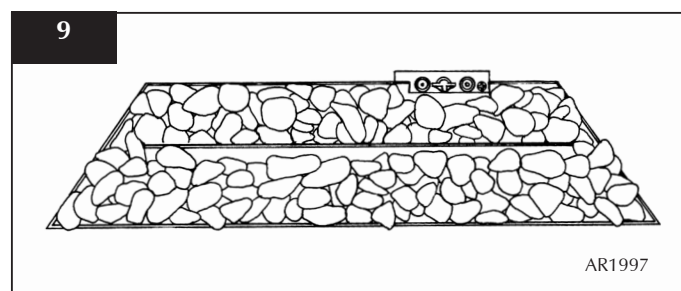
- 7.2 There is a cardboard fitment in the terminal. This is to support the flue whilst it is cut to length. **REMOVE THE REMAINDER OF THE CARDBOARD AFTER CUTTING TO SIZE**
- 7.3 Remove the compression elbow from the appliance and connect it to the gas supply pipe, taking note of its orientation
- 7.4 Attach the flue to the appliance and seal using the aluminium tape provided

- 7.5 As the appliance is positioned into the opening of the enclosure, pass the flue pipe through the hole in the wall. It will be necessary to pass the supply pipe with the elbow through the silicone panel on the right hand side of the box.
- 7.6 Secure the appliance in place using screws and rawl plugs provided
- 7.7 PURGE THE SUPPLY PIPE. This is essential to expel any debris that may block the gas controls. Connect the elbow to the appliance inlet pipe.
- 7.8 Connect a suitable pressure gauge to the test point located on the inlet elbow and turn the gas on
- 7.9 Light the appliance and check for leaks
- 7.10 Turn the appliance to maximum and check that the supply pressure is as stated on the databadge
- 7.11 Turn the gas supply off and replace the test point screw. Turn the gas on and check the test point for leaks

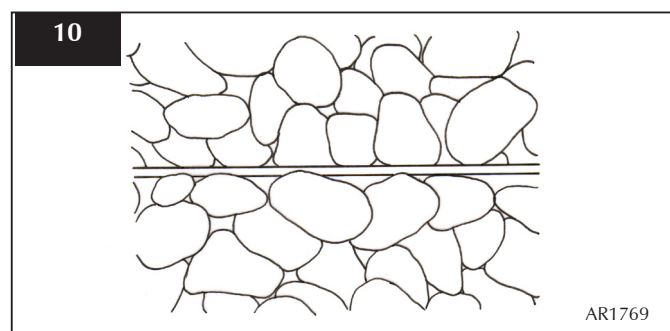
8A. ARRANGEMENT OF THE FUEL BED COMPONENTS - STONE EFFECT

ONLY USE THE CORRECT TYPE AND QUANTITY OF WHITE STONE EFFECT. ALWAYS FOLLOW THE FUEL BED LAYOUT AS STATED IN THESE INSTRUCTIONS. NEVER CHANGE THE LAYOUT FROM THAT SHOWN HERE.

- 8.1 Arrange the white stones in the areas highlighted in Diagram 9. They should be evenly distributed.



- 8.2 Lean the white stones against the burner ledges to disguise the ledges, Diagram 10

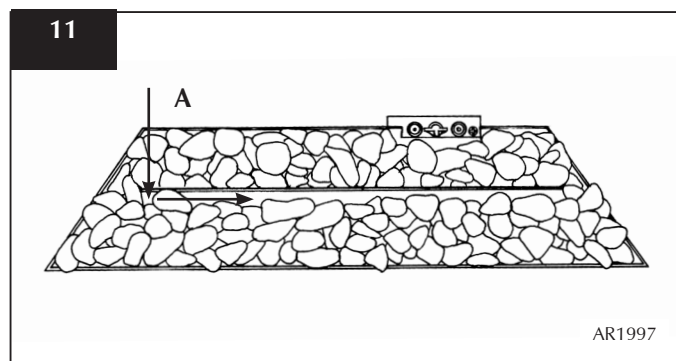


INSTALLATION INSTRUCTIONS

INSTALLATION

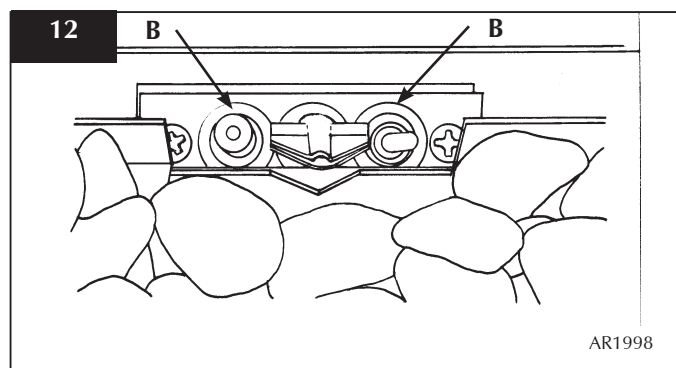
- 8.3 Check that the port area, Arrow A, , Diagram 11 is clear of white stones. This can be easily done by gently running a screwdriver or similar object along this area.

NOTE: IT IS IMPORTANT THE WHITE STONES DO NOT COVER THE PORT AREA IN BETWEEN THE BURNER LEDGES.



- 8.4 Ensure that no white stones over-hang or fill the pilot area, Arrow B, Diagram 12.

NOTE: WHITE STONES SHOULD NOT BE PLACED DIRECTLY IN FRONT OF THE PILOT CROSS LIGHTING FLAME.



8B. ARRANGEMENT OF THE FUEL BED COMPONENTS - COAL EFFECT

ADVICE ON HANDLING AND DISPOSAL OF FIRE CERAMICS

The fuel effect and side panels in this appliance are made from Refractory Ceramic Fibre (RCF), a material which is commonly used for this application.

Protective clothing is not required when handling these articles, but we recommend you follow normal hygiene rules of not smoking, eating or drinking in the work area and always wash your hands before eating or drinking.

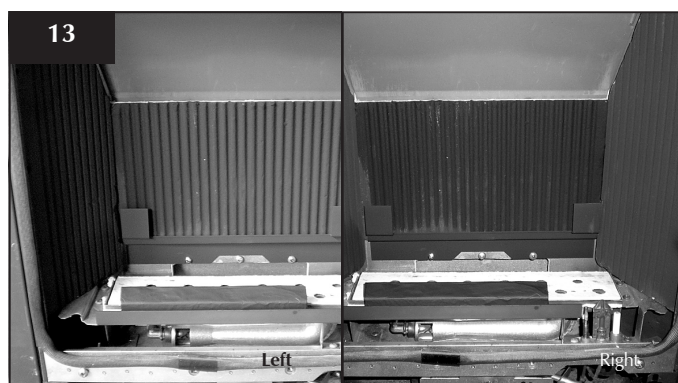
To ensure that the release of RCF fibres are kept to a minimum, during installation and servicing a HEPA filtered vacuum is recommended to remove any dust accumulated in and around the appliance before and after working on it. When servicing the appliance it is recommended that the replaced items are not broken up, but are sealed within heavy duty polythene bags and labelled as RCF waste.

RCF waste is classed as stable, non-reactive hazardous waste and may be disposed of at a licensed landfill site.

Excessive exposure to these materials may cause temporary irritation to eyes, skin and respiratory tract; wash hands thoroughly after handling the material.

ONLY USE THE CORRECT TYPE AND QUANTITY OF CERAMIC COMPONENTS

- 8.5 Place the rear panel against the rear of the box resting on the shelf.
- Slide one of the side panels into the box ensuring it touches the rear panel.
 - Gently ease the front edge of the side panel behind the flange so it lies flat against the wall of the box.
 - Repeat with the second side panel, Diagram 13



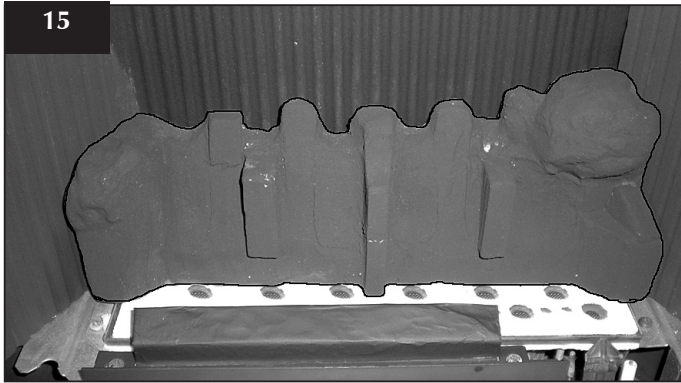
- 8.6 Locate the top panel on top of the sides and rear by lifting it up and forward inside the box.
- Slide it backwards and down behind the side panels to rest on the rear panel, Diagram 14.



INSTALLATION INSTRUCTIONS

INSTALLATION

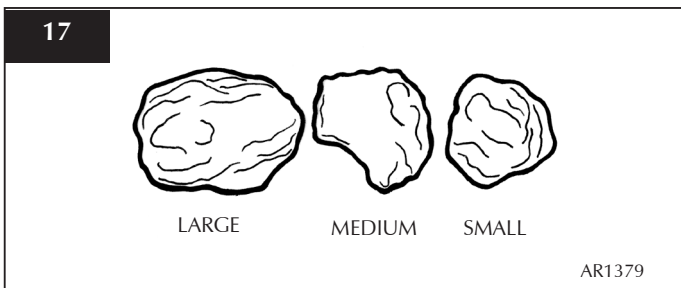
- 8.7 Position the flame baffle centrally on the tray and ensure the stepped lower edge engages against the rear edge of the burner skin, Diagram 15



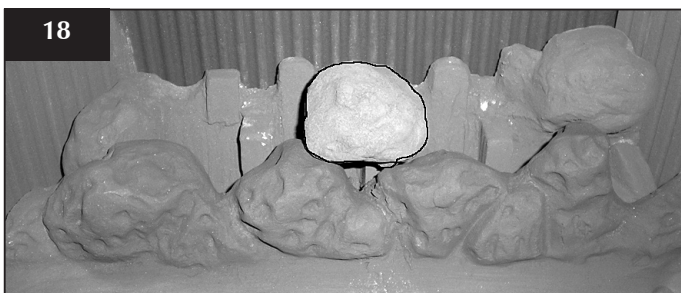
- 8.8 Place the front coal centrally in the channel at the front of the tray. The relationship between the front coal and the flame baffle is shown, Diagram 16



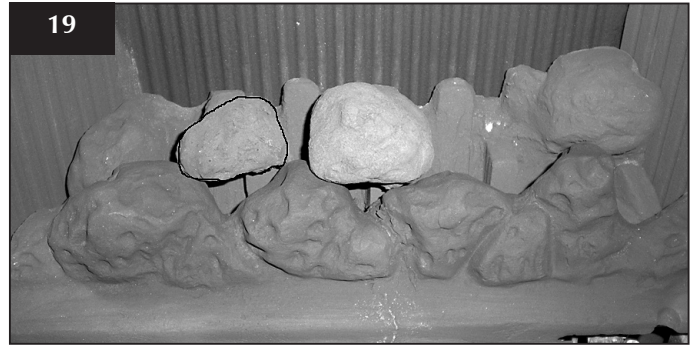
- 8.9 There are three sizes of coal used. Small x3, medium x4 and large x1. For identification, Diagram 17.



- 8.10 Place the single large coal in the central dent of the front coal resting against the flame baffle, Diagram 18.



- 8.11 Place the front left medium coal in the recess between the flame baffle and the front coal, Diagram 19.



- 8.12 Place the front right medium coal on the front coal and against the flame baffle, Diagram 20.



- 8.13 Place the rear left medium coal in the recess behind the front row of coals, resting on the rear panel, Diagram 21.



- 8.14 Place the rear right medium coal in the recess behind the front row of coals, resting on the rear panel, Diagram 22



INSTALLATION INSTRUCTIONS

INSTALLATION / COMMISSIONING

- 8.15 Place the right hand small coal in the recess between the flame baffle and the front coal, Diagram 23



- 8.16 Place the left hand small coal in the recess between the flame baffle and the front coal, Diagram 24

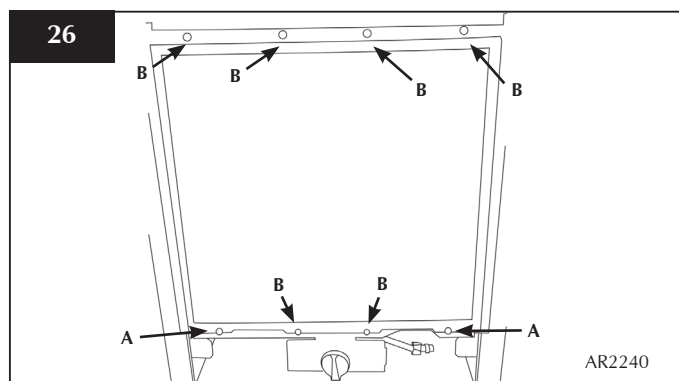


- 8.17 Place the centre rear small coal in the recess behind the large centre coal, Diagram 25



FITTING THE GLASS WINDOW

- 8.18 Ensure that the fibre glass window seal on the box is intact, then lower the glass window onto the two lower fixing screws (Arrow A)
- Fit the other 6 fixing screws (Arrow B)
 - Tighten all 8 screws to retain the window, Diagram 26.



- Refer to the separate *Frame Instructions* to replace the frame on the fire.

9. LIGHTING THE FIRE

- 9.1 For instructions on lighting the appliance see Users Instructions, Section 2, page 4.

10. COMMISSIONING

- 10.1 Complete the Commissioning Checklist at the front of this manual covering:
- Flue checks
 - Gas checks
 - Check the flame picture

SERVICING INSTRUCTIONS

SERVICING / FAULT FINDING CHARTS

1. SERVICING REQUIREMENTS

IMPORTANT – The glass panel on this appliance should be checked for any signs of damage on the front face of the glass panel (scratches, scores, cracks or other surface defects). If damage is observed, the glass panel must be replaced and the appliance must not be used until a replacement is installed. Under no circumstances should the appliance be used if any damage is observed. Please isolate the appliance until a replacement glass panel has been obtained and installed. Replacement glass panels can be purchased from Gazco via the dealer from which the appliance was purchased or any other Gazco distributor.

This appliance must be serviced at least once a year by a competent person.

All tests must be serviced by best practice as described by the current Gas Safe recommendations.

- 1.1 Before any tests are undertaken on the appliance, conduct a gas soundness test for the property to ensure that there are no gas leaks prior to starting work.
- 1.2 Before any tests are undertaken on the appliance it is also recommended to fully check the operation of the appliance.

1.3 Special checks

1.3.1 Check the flue terminal position complies with the requirements, and that the terminal is not obstructed.

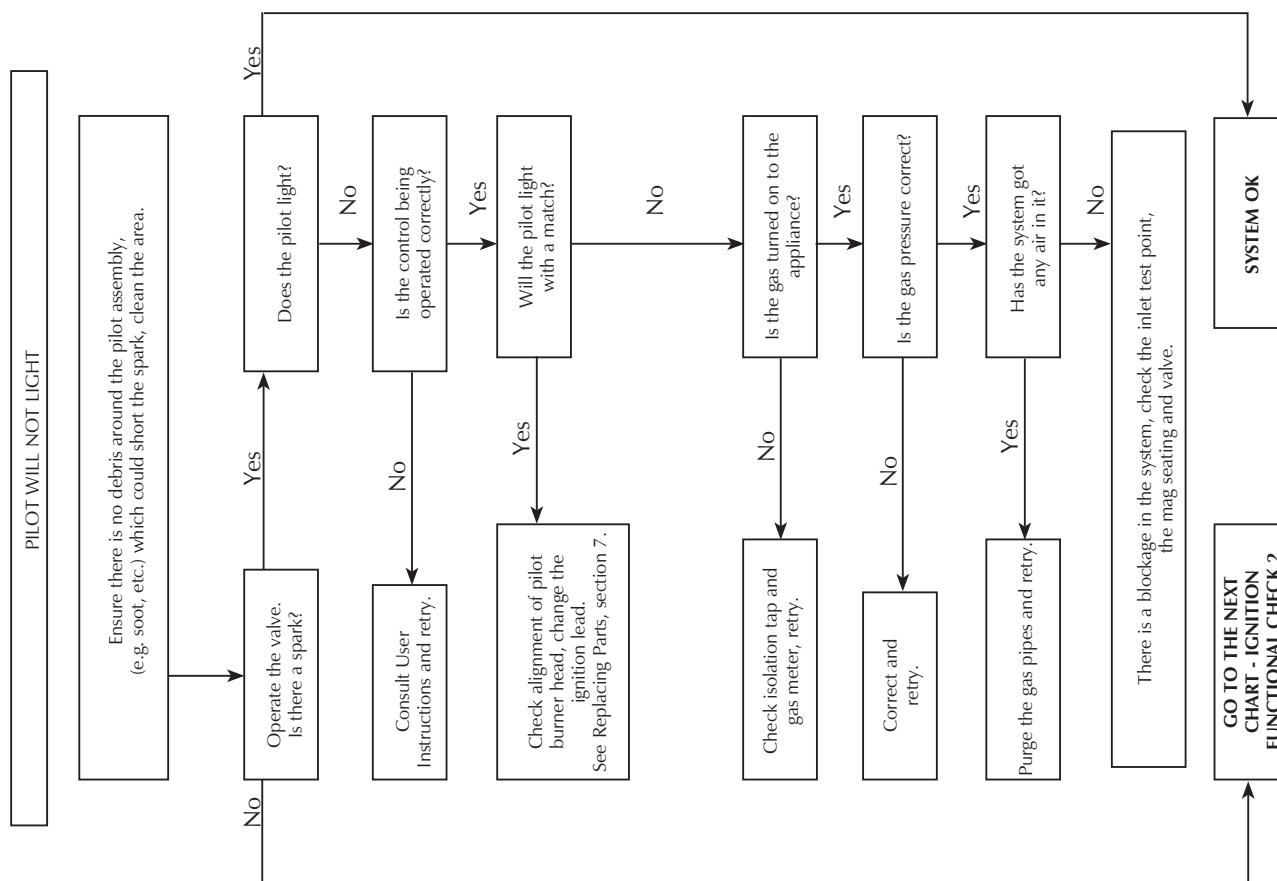
1.3.2 Clean away any debris under the burner.

1.3.3 Check the condition of ceramics, pilot and burner cover gasket.

1.4 Correct any faults found during the initial tests and then re-commission the appliance conducting the usual safety checks.

1.5 Advise the customer of any remedial action taken.

IGNITION FUNCTIONAL CHECK 1



SERVICING INSTRUCTIONS

REPLACING PARTS

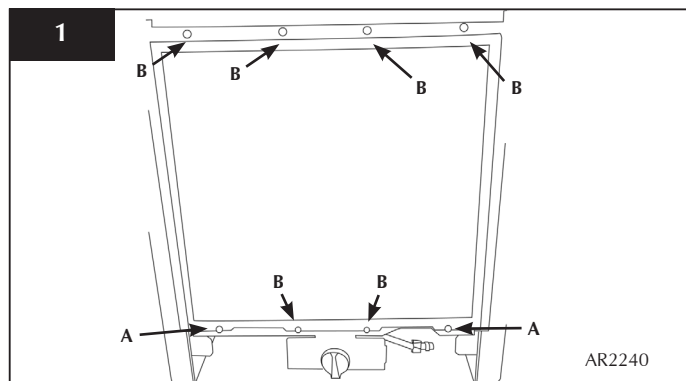
1. GENERAL

- 1.1 All principal components can be replaced without removing the appliance from its installation, although it is essential that the gas supply to the appliance is turned off at the isolation device before proceeding further.
- 1.2 Before replacing some of the components it will first be necessary to remove the burner assembly from the appliance by following the instructions below.
- 1.3 If for any reason the flue has to be removed from the appliance, the seal must be replaced in the inner spigot.

2. REMOVING THE BURNER UNIT

Ensure the appliance is cold before proceeding

- 2.1 Turn the gas supply off at the isolation device. Then disconnect the supply pipe.
 - Remove the frame from the appliance by referring to the separate frame instructions supplied.
- 2.2 Remove the glass window by unscrewing the two lower outer pozi-head screws (Arrow A) by several turns, there is no need to fully remove these two screws, Diagram 1
 - Remove the remaining 6 screws (Arrow B) and lift the glass window clear of the appliance, Diagram 1



- 2.3 To clean the glass surface, Gazco recommends you use a ceramic glass product generally sold for cleaning ceramic hobs.
- 2.4 Remove the white stones (Stone Effect) or ceramic coals and liners (Coal Effect) and place on a clean dry surface.
- 2.5 Remove door window seal from the appliance. Push the arrow-headed spring clips out of the body. It may be necessary to slightly compress the clips to ease removal.

NOTE! Only the lower five clips need to be removed.

- 2.6 Fully remove the two lower outer pozi-headed door fixing screws from the appliance (Diagram 1, Arrow A) and the lower posi-headed screw positioned centrally below the control valve knob
- 2.7 The burner tray can now be removed from the appliance. Lift the front of the assembly up and out from the appliance. Take care not to damage the door seal.

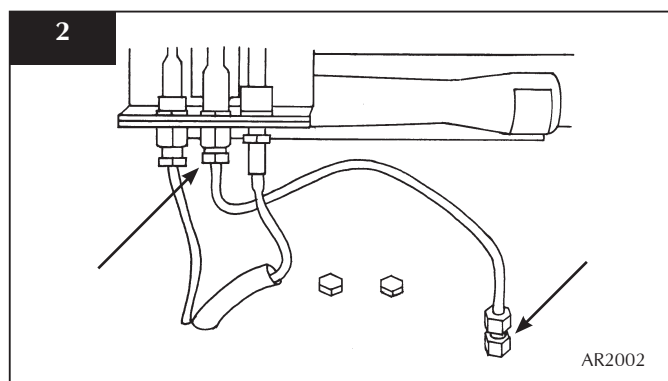
3. PILOT UNIT

The pilot unit assembly consists of three components which can be individually changed, these are:-

- 1) Pilot Injector
- 2) Electrode
- 3) Thermocouple

3A. PILOT INJECTOR - LOGIC HE STONE EFFECT

- 3.1 Undo the pilot pipe from the bulkhead fitting and from the underside of the pilot unit, Diagram 2.



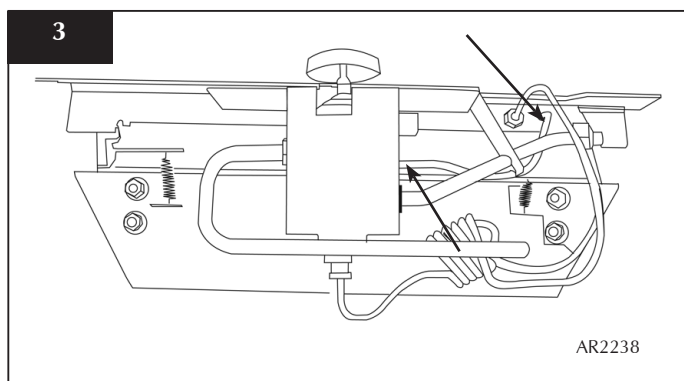
- 3.2 Remove the pipe and the injector drops out from the pilot unit. Take care not to loose or damage the injector.
- 3.3 To replace the injector:
 - Reverse the above procedure
 - Check for gas leaks.

SERVICING INSTRUCTIONS

REPLACING PARTS

3B. PILOT INJECTOR - LOGIC HE COAL

- 3.4 Undo the pilot pipe from the valve and from the under side of the pilot unit, Diagram 3



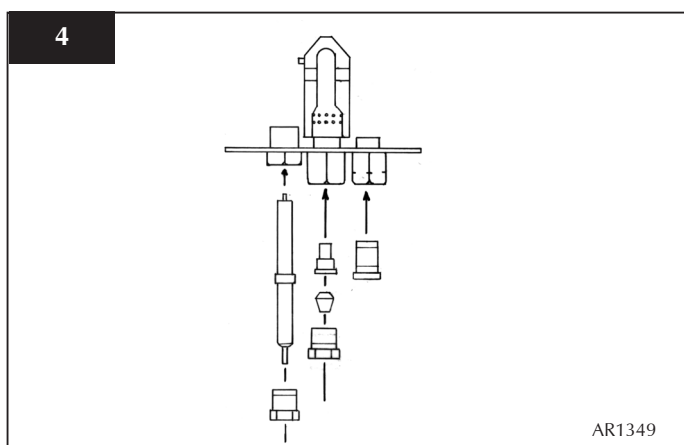
- 3.5 Remove the pipe and the injector drops out from the pilot unit. Take care not to loose or damage the injector.

- 3.6 To replace the injector:

- Reverse the above procedure
- Check for gas leaks

3C. ELECTRODE

- 3.7 Pull the ignition lead from the electrode and undo the retaining nut, Diagram 4

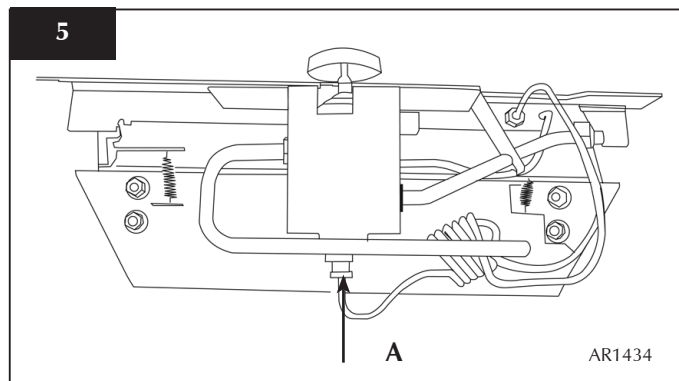


- 3.8 Replace with new electrode. Do not over tighten the nut as this could break the new component

- 3.9 Replace the ignition lead

4. THERMOCOUPLE

- 4.1 Disconnect the thermocouple from the gas valve, Diagram 5.

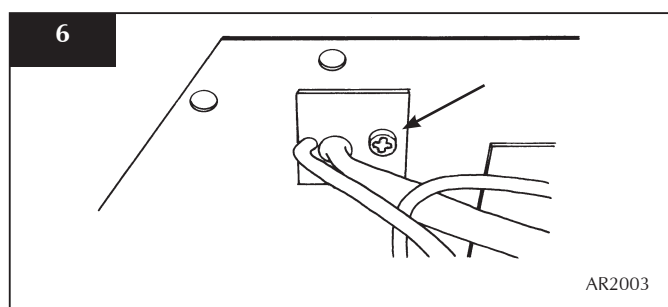


- 4.2 Undo the thermocouple nut in the pilot unit by half a turn. This will release the thermocouple.

LOGIC HE STONE

- 4.3 Remove the sealing plate, Diagram 6, by removing the pozi head screw.

NOTE: The sealing plate needs to be re-sealed after the new thermocouple is fitted.



WHEN REPLACING WITH A NEW THERMOCOUPLE TAKE CARE TO BEND THE NEW COMPONENT TO THE EXACT SHAPE OF THE ORIGINAL ONE

- 4.4 When replacing the thermocouple into the pilot unit ensure the component is pushed fully into the hole. There is a stop on the thermocouple to set the height.

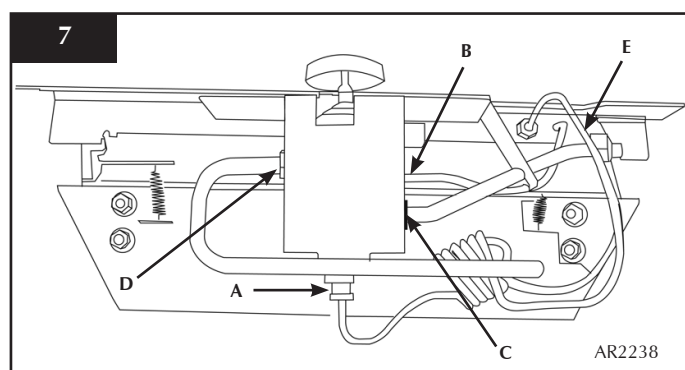
- 4.5 Lock the retaining nut just enough to grip the thermocouple

SERVICING INSTRUCTIONS

REPLACING PARTS

5. GAS VALVE

- 5.1 The Ignition lead and Piezo on this fire are part of one complete unit and must be replaced at the same time.
- 5.2 To remove the gas valve:
- Remove the thermocouple from the gas valve, Arrow A, Diagram 7



- Undo the pilot pipe from the gas valve, Arrow B, Diagram 7
- Undo the inlet pipe from the gas valve, Arrow C, Diagram 7
- Undo the main injector feed pipe from the gas valve, Arrow D, Diagram 7
- Disconnect the ignition lead from the pilot unit (For Logic HE Stone, the sealing plate needs to be removed, Diagram 7, Arrow E)
- Pull off the gas valve control knob and remove the locking nut using a 17mm spanner

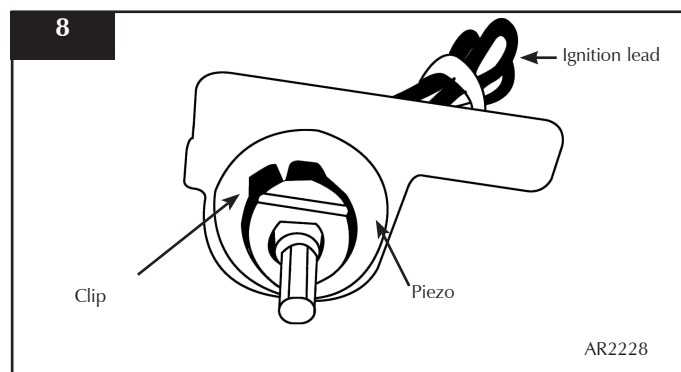
- 5.3 The gas valve can now be removed from the burner unit.
- 5.4 To replace the gas valve:
- Reverse the above procedure
- Make sure the sealing plate on Logic HE Stone models is re-sealed.
- 5.5 Check for gas leaks

6. IGNITION LEAD AND PIEZO

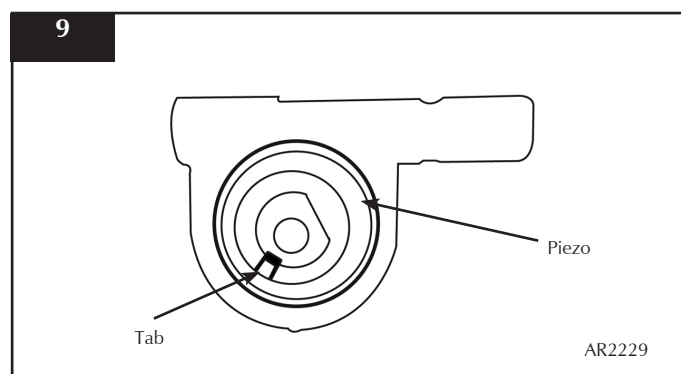
The Ignition lead and piezo ignitor on this appliance are part of one complete unit and must be replaced at the same time.

- 6.1 To replace the unit remove the gas valve as detailed in Section 5

- 6.2 Remove the circlip from around the front of the valve using appropriate tools, Diagram 8



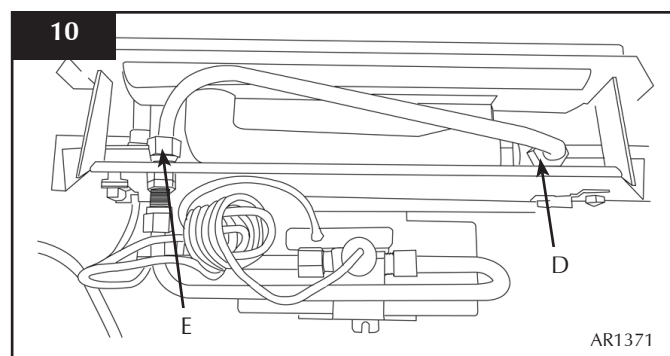
- 6.3 Rotate the piezo anti-clockwise until a tab appears in the slot at the front, Diagram 9



- 6.4 Withdraw the Piezo unit forward from the valve. Replace with a new unit and re-assemble the valve into the burner unit .
- 6.5 Check the operation of the Piezo ignitor making sure that both ignition 'clicks' are functioning. Replace the fire frame.

7. MAIN INJECTOR

- 7.1 Undo the injector compression nut and bulhead nut , Diagram 10 arrows D and E, pull the pipe clear of the injector body



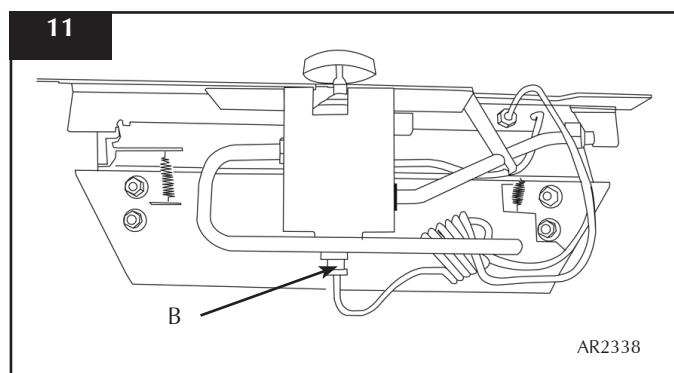
SERVICING INSTRUCTIONS

REPLACING PARTS

- 7.2 Rotate the injector until it is fully removed
- 7.3 Replace with the correct replacement injector. When ordering, always state the model, gas type and serial number.
- 7.4 Reassemble and turn the gas supply on, check for any leaks.

8. MAG UNIT

- 8.1 Undo the thermocouple nut. Diagram 11 arrow B.



- 8.2 Undo the mag unit retaining nut at the back of the control valve behind the thermocouple nut. After removing the retaining nut, the mag unit can be tapped out and a replacement fitted.
- 8.3 Replace the mag unit retaining nut and tighten. Note - this is a gas-tight seal.
- 8.4 Replace the thermocouple and check for gas leaks.
- 8.5 After reassembly, carry out the flame failure functional check as detailed in the Fault Finding chart, especially the mag unit drop out time.

9. CHANGING BETWEEN GAS TYPES

The following parts must be changed when converting an appliance from one gas type to another:

	BURNER ASSEMBLY		DATABADGE	
	NG	LPG	NG	LPG
LOGIC HE - COAL	GZ8157	GZ8335	GZ6398	GZ6960
LOGIC HE - STONE	PR1053	PR1059	PR1060	PR1061

Note: The control valve will be set for the particular appliance and gas type. In all instances, when ordering new parts, be sure to quote the appliance type and serial number.

Use only genuine Gazco replacement parts. Non-standard components will invalidate the guarantee and may be dangerous.

10A. SPARE PARTS LIST - LOGIC HE BF STONE EFFECT

PART DESCRIPTION	PART NUMBER
White Stones	CE0732
Vitreous Enamel Liner	GZ8241
NATURAL GAS PARTS	
Main Burner Injector	IN0069
Pilot Assembly	PI0069
Aeration Plate	GZ3869
Gas Valve (NG Only)	GC0156
LPG PARTS	
Main Burner Injector	IN0049
Pilo Assembly	PI0070
Aeration Plate	GZ3867
Gas Valve (LPG Only)	GC0158
MISCELLANEOUS PARTS	
Ignition Lead/Piezo	GC0159
Magnetic Unit	GC0160
Control Knob	GC0058
Window Seal	FA0600
Thermocouple	PI0074
Electrode	PI0075

SERVICING INSTRUCTIONS

REPLACING PARTS

10B. SPARE PARTS LIST - LOGIC HE BF COAL EFFECT

PART DESCRIPTION	PART NUMBER
Front Coal	CE0490
Flame Baffle	CE0758
Side Panel LH	CE0754
Side Panel RH	CE0755
Rear Panel	CE0757
Top Panel	CE0756
Loose Coal Set	CE0496
NATURAL GAS PARTS	
Main Burner Injector	IN0001
Pilot Assembly	PI0069
Aeration Plate	GZ3966
Gas Valve (NG Only)	GC0156
Burner Cover Gasket	CE0836
LPG PARTS	
Main Burner Injector	IN0056
Pilot Assembly	PI0070
Aeration Plate	N/A
Gas Valve (LPG Only)	GC0158
Burner Cover Gasket	CE0837
MISCELLANEOUS	
Ignition lead/Piezo	GC0159
Magnetic Unit	GC0160
Control Knob	GC0058
Window Seal	FA0600
Thermocouple	PI0077
Electrode	PI0075

SERVICE RECORDS

1ST SERVICE

Date of Service:.....

Next Service Due:.....

Signed:.....

Dealer's Stamp/Gas Safe Registration Number

2ND SERVICE

Date of Service:.....

Next Service Due:.....

Signed:.....

Dealer's Stamp/Gas Safe Registration Number

3RD SERVICE

Date of Service:.....

Next Service Due:.....

Signed:.....

Dealer's Stamp/Gas Safe Registration Number

4TH SERVICE

Date of Service:.....

Next Service Due:.....

Signed:.....

Dealer's Stamp/Gas Safe Registration Number

5TH SERVICE

Date of Service:.....

Next Service Due:.....

Signed:.....

Dealer's Stamp/Gas Safe Registration Number

6TH SERVICE

Date of Service:.....

Next Service Due:.....

Signed:.....

Dealer's Stamp/Gas Safe Registration Number

7TH SERVICE

Date of Service:.....

Next Service Due:.....

Signed:.....

Dealer's Stamp/Gas Safe Registration Number

8TH SERVICE

Date of Service:.....

Next Due:.....

Signed:.....

Dealer's Stamp/Gas Safe Registration Number

9TH SERVICE

Date of Service:.....

Next Due:.....

Signed:.....

Dealer's Stamp/Gas Safe Registration Number

10TH SERVICE

Date of Service:.....

Next Service Due:.....

Signed:.....

Dealer's Stamp/Gas Safe Registration Number

Gazco Limited, Osprey Road, Sowton Industrial Estate, Exeter, Devon, England EX2 7JG
Tel: Technical Customer Services (01392) 261950 Fax: (01392) 261951
E-mail: technicalservices@gazco.com

A member of the Stovax Group